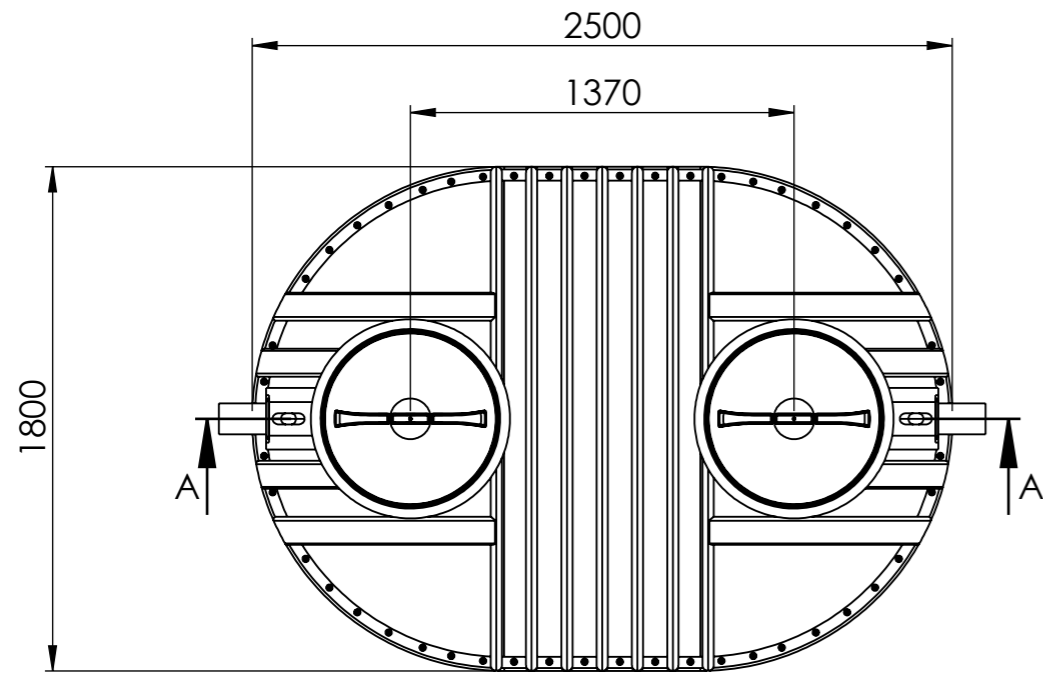
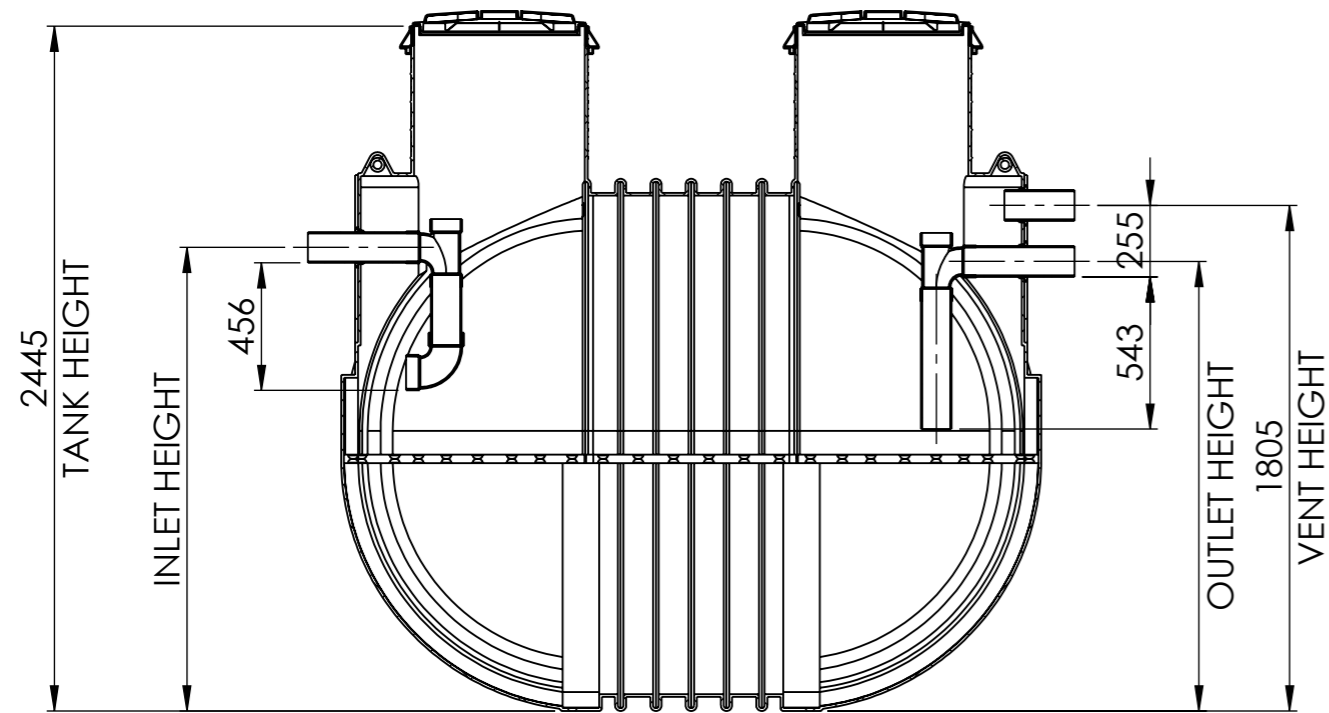


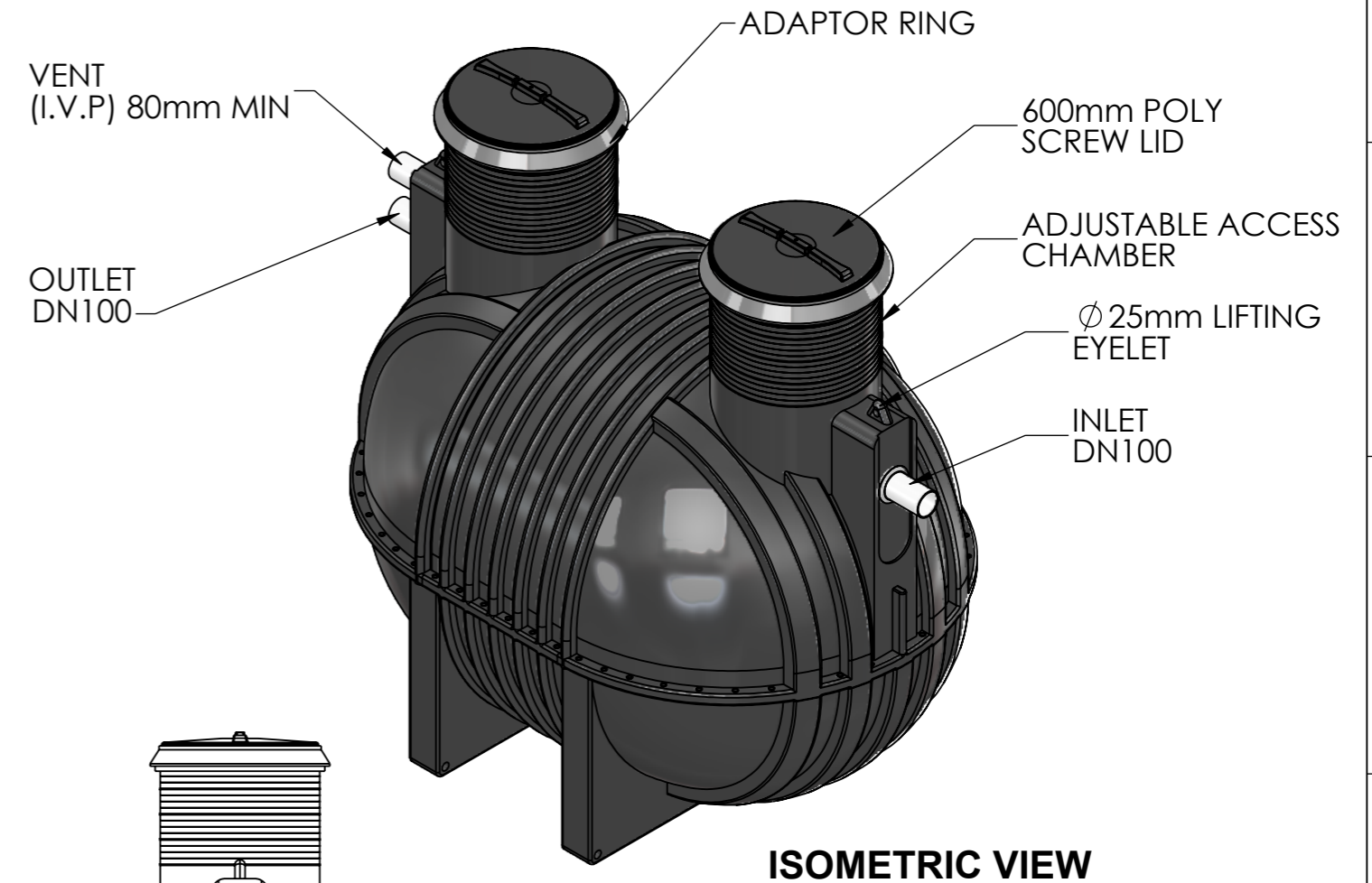
# GA-4000 GENERAL ARRANGEMENT



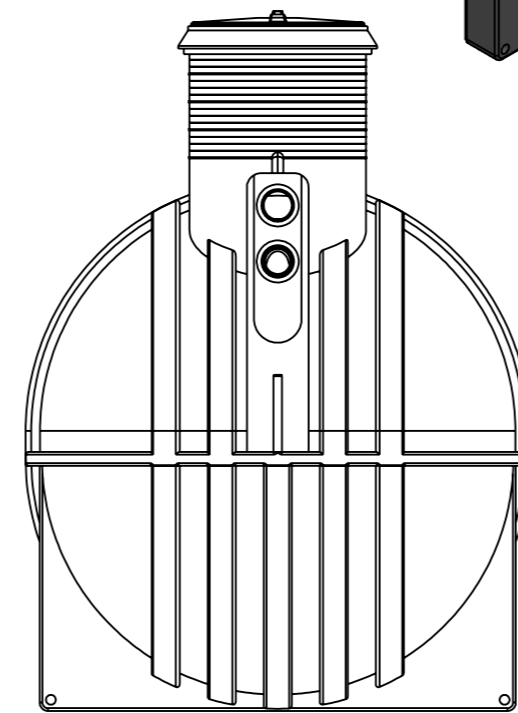
**TOP VIEW**



**SECTION A-A**



**ISOMETRIC VIEW**



**SIDE VIEW**

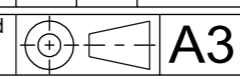
0	ISSUED FOR APPROVAL	LB	RB	RB	30/03/23				
<b>REV</b>	<b>DESCRIPTION</b>	<b>DWN</b>	<b>CHK</b>	<b>APP</b>	<b>DATE</b>				

**coerco**  
Engineered Project Solutions

MATERIAL	DWN	LB	
COLOUR/ FINISH	CHK		
S.G.	APP		
		SCALE: NTS	

STOCK CODE	GA-4000
PRODUCT	GA-4000 GENERAL ARRANGEMENT

PROPRIETARY. Neither this document nor its contents may be used or reproduced in any manner without the written authorisation of COERCO. Unless otherwise noted all dimensions are in millimetres.

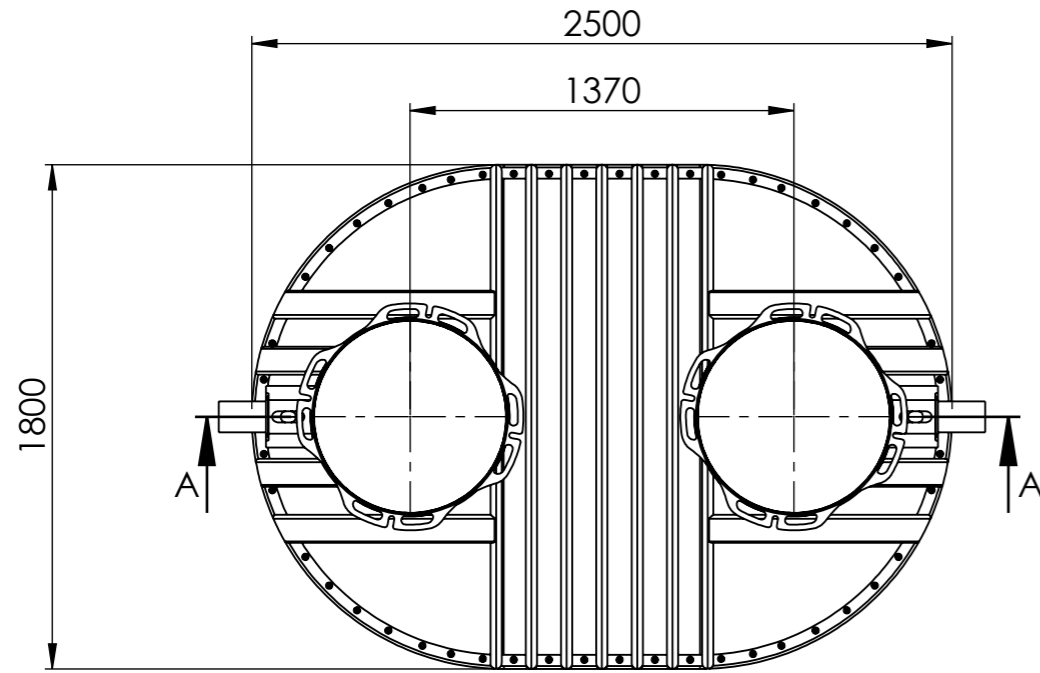


**COERCO**  
23 Harris Rd, Malaga Western Australia 6090

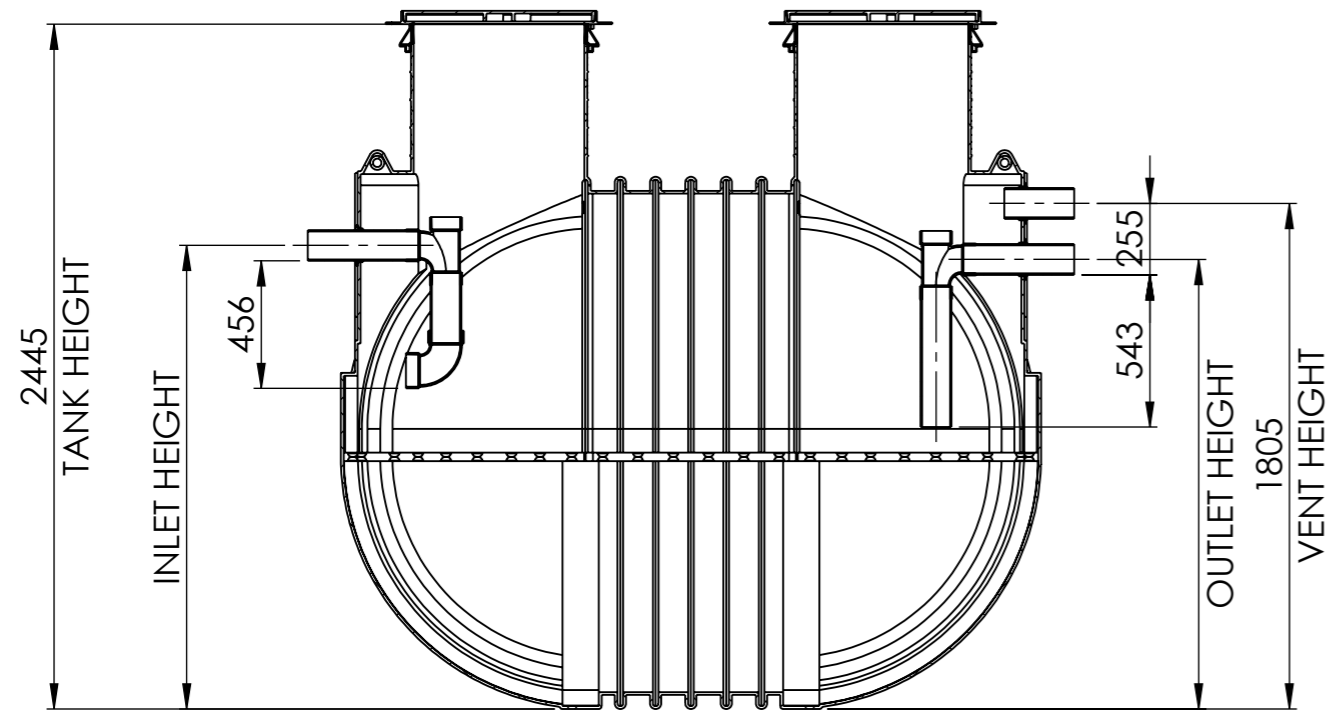
Phone: 1800 646 277  
E-mail: info@coerco.com.au

SHEET 1 OF 2	DWG NO.	GA-4000_GA_001	REV.
--------------	---------	----------------	------

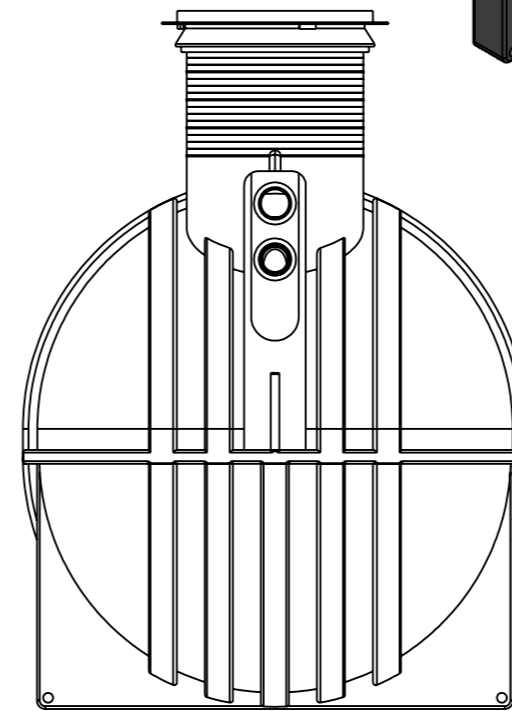
# GA-4000 GENERAL ARRANGEMENT



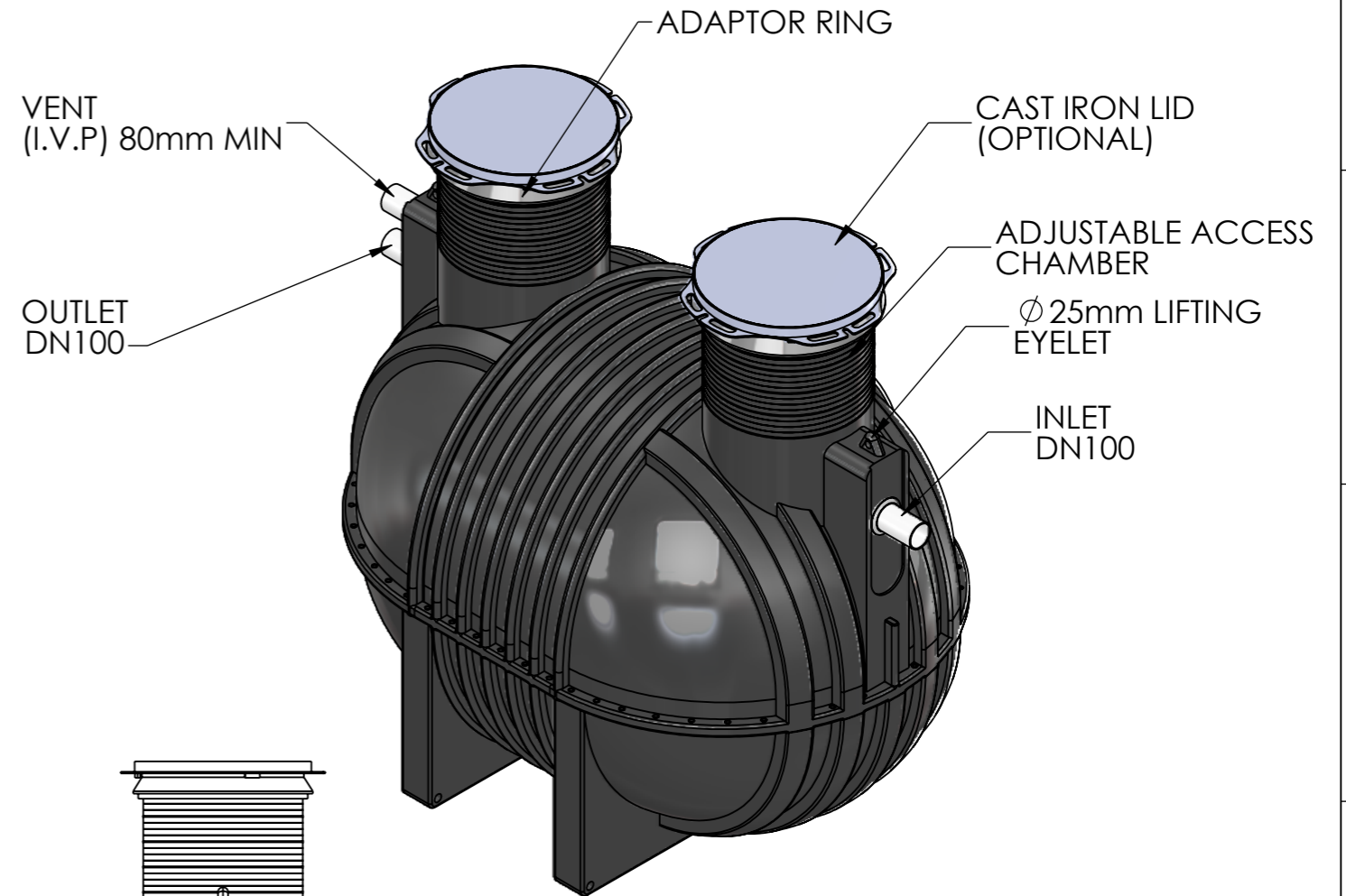
TOP VIEW



SECTION A-A



SIDE VIEW



ISOMETRIC VIEW

TRAFFICABLE LID OPTIONS	
DESCRIPTION	CODE
CLASS B CIRCULAR SOLID CAST IRON LID	COMP-33-58
CLASS D CIRCULAR SOLID CAST IRON LID	COMP-33-59

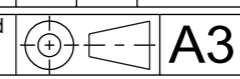
REV	DESCRIPTION	DWN	CHK	APP	DATE
0	ISSUED FOR APPROVAL	LB	RB	RB	30/03/23

**coerco**  
Engineered Project Solutions

MATERIAL	DWN	LB
COLOUR/ FINISH	CHK	
S.G.	APP	
	SCALE: NTS	

STOCK CODE	GA-4000
PRODUCT	GA-4000 GENERAL ARRANGEMENT

PROPRIETARY. Neither this document nor its contents may be used or reproduced in any manner without the written authorisation of COERCO. Unless otherwise noted all dimensions are in millimetres.



COERCO  
23 Harris Rd, Malaga Western Australia 6090

Phone: 1800 646 277  
E-mail: info@coerco.com.au

SHEET 2 OF 2	DWG NO.	GA-4000_GA_001	REV.
--------------	---------	----------------	------