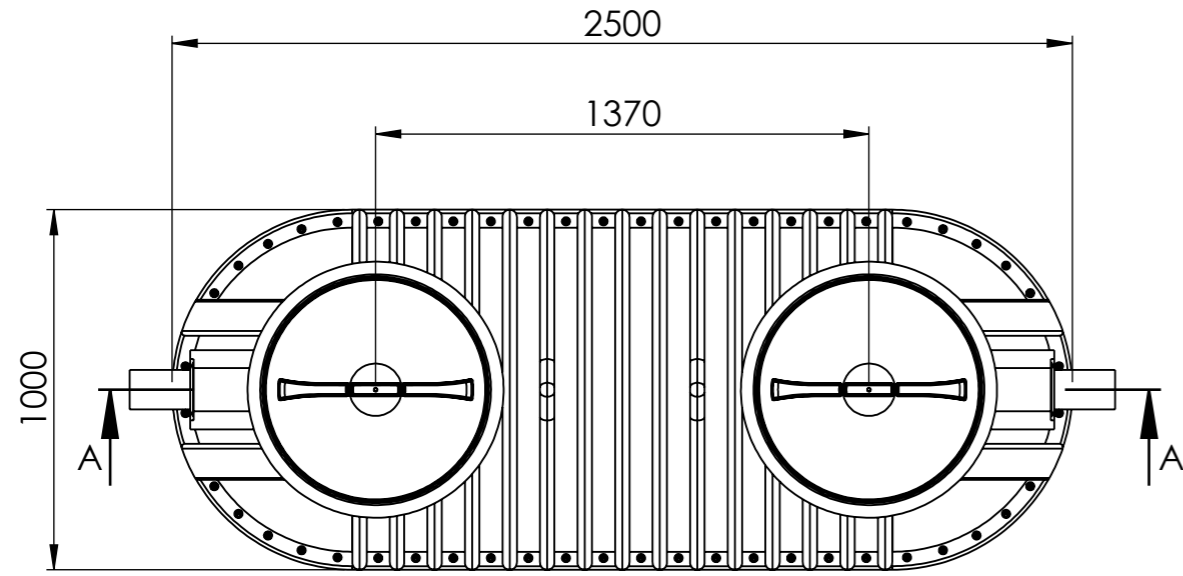
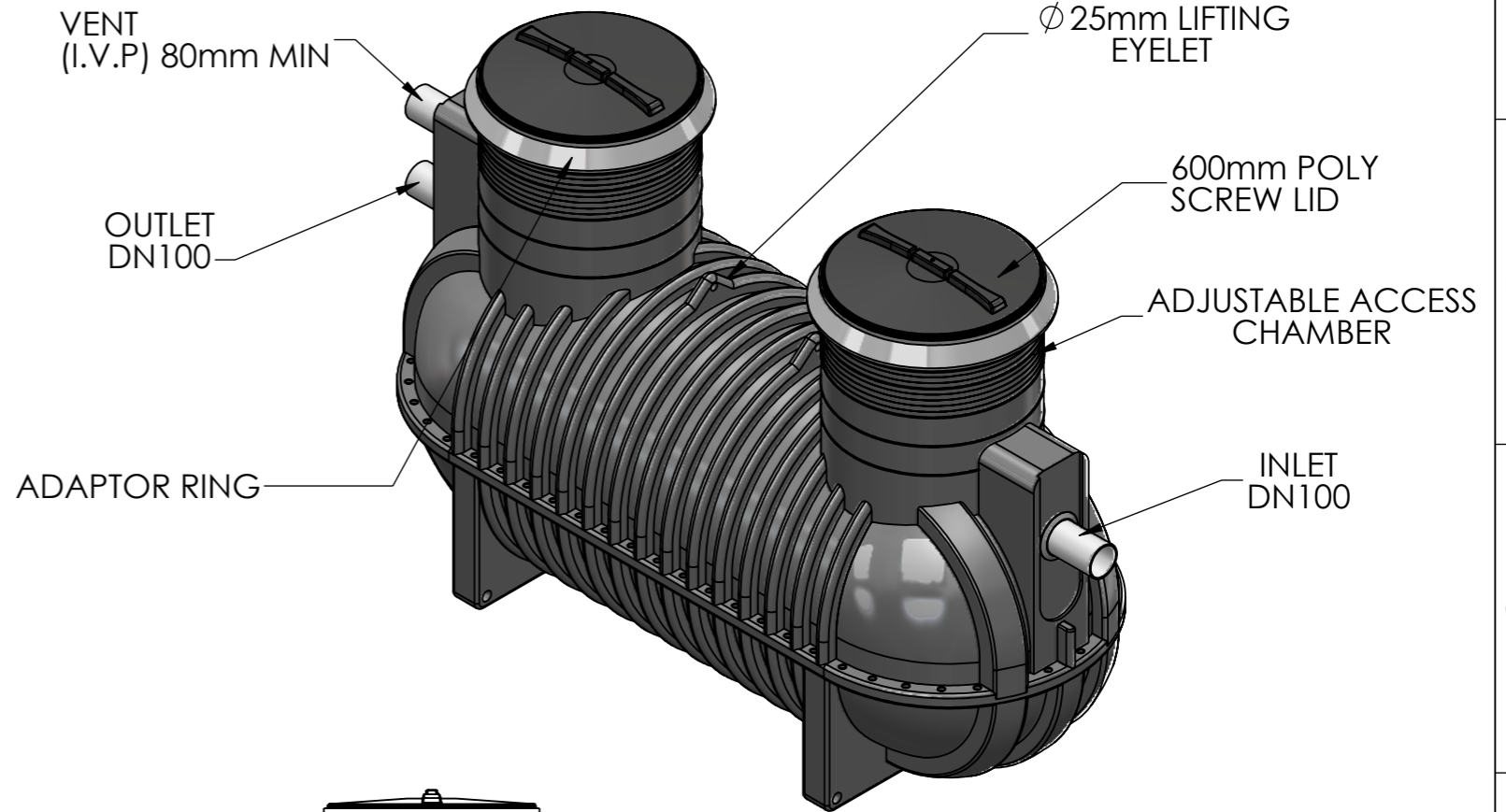


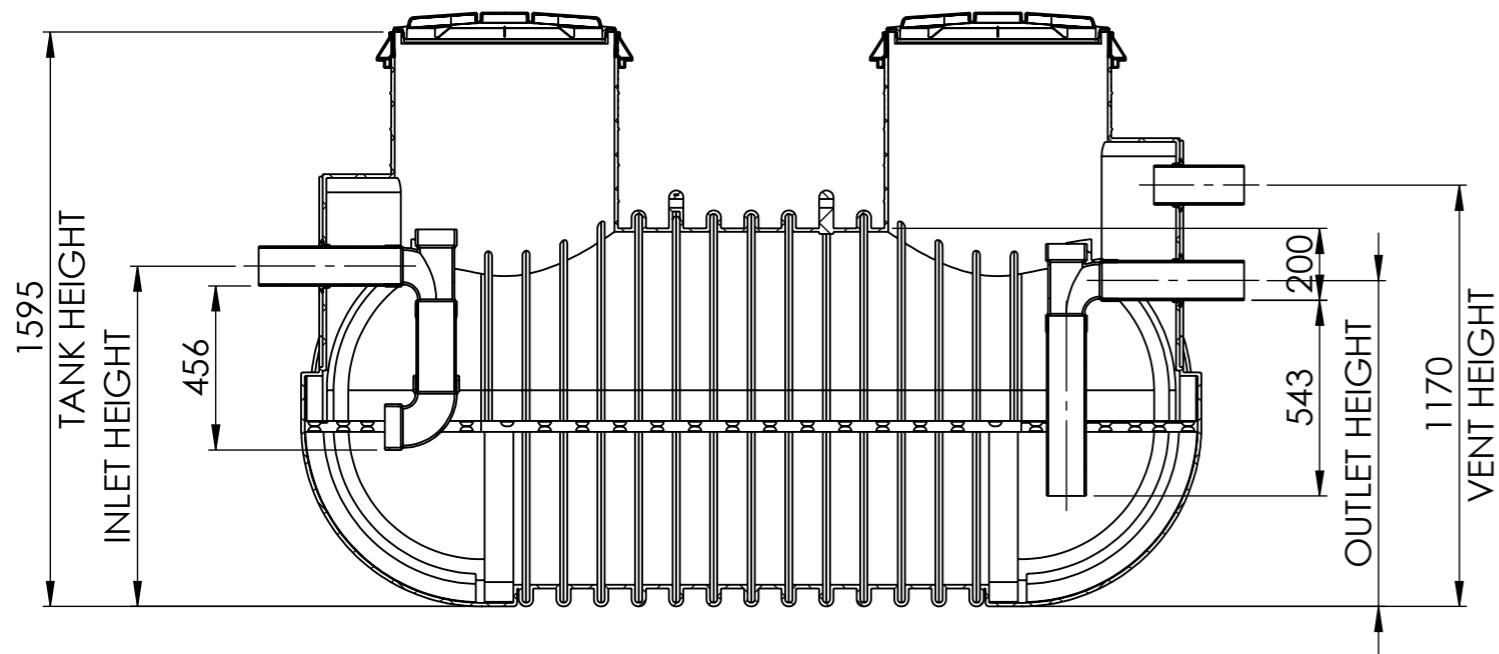
GA-1200 GENERAL ARRANGEMENT



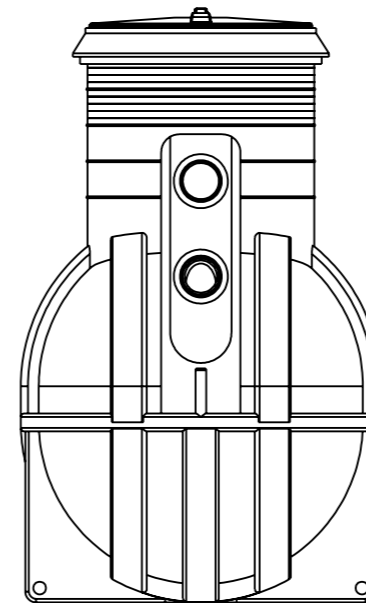
TOP VIEW



ISOMETRIC VIEW



SECTION A-A



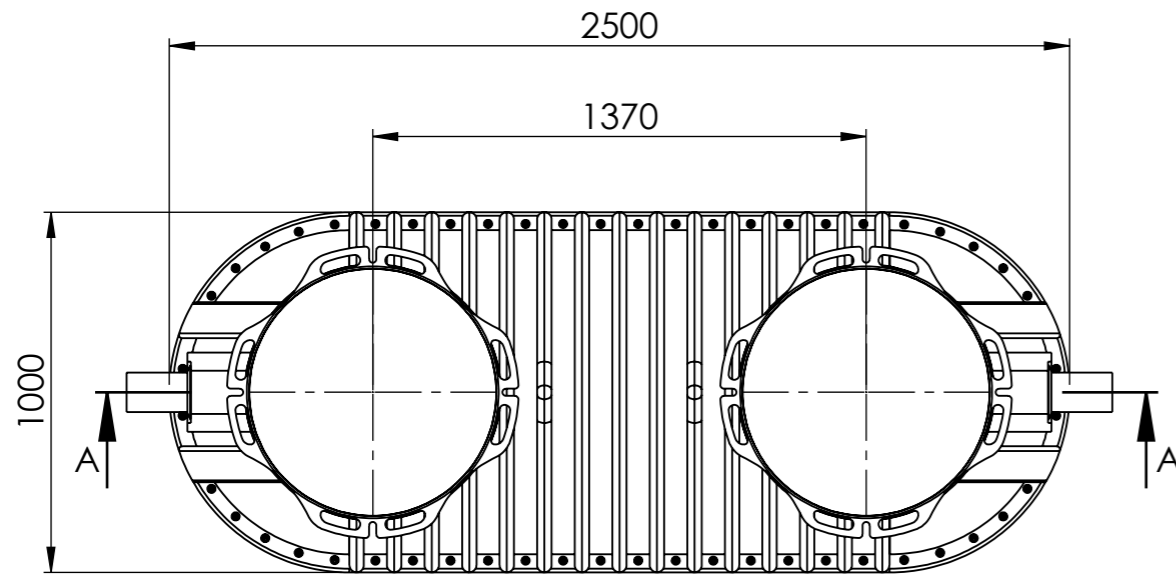
SIDE VIEW

REV	DESCRIPTION	DWN	CHK	APP	DATE
0	ISSUED FOR APPROVAL	LB	RB	RB	30/03/23

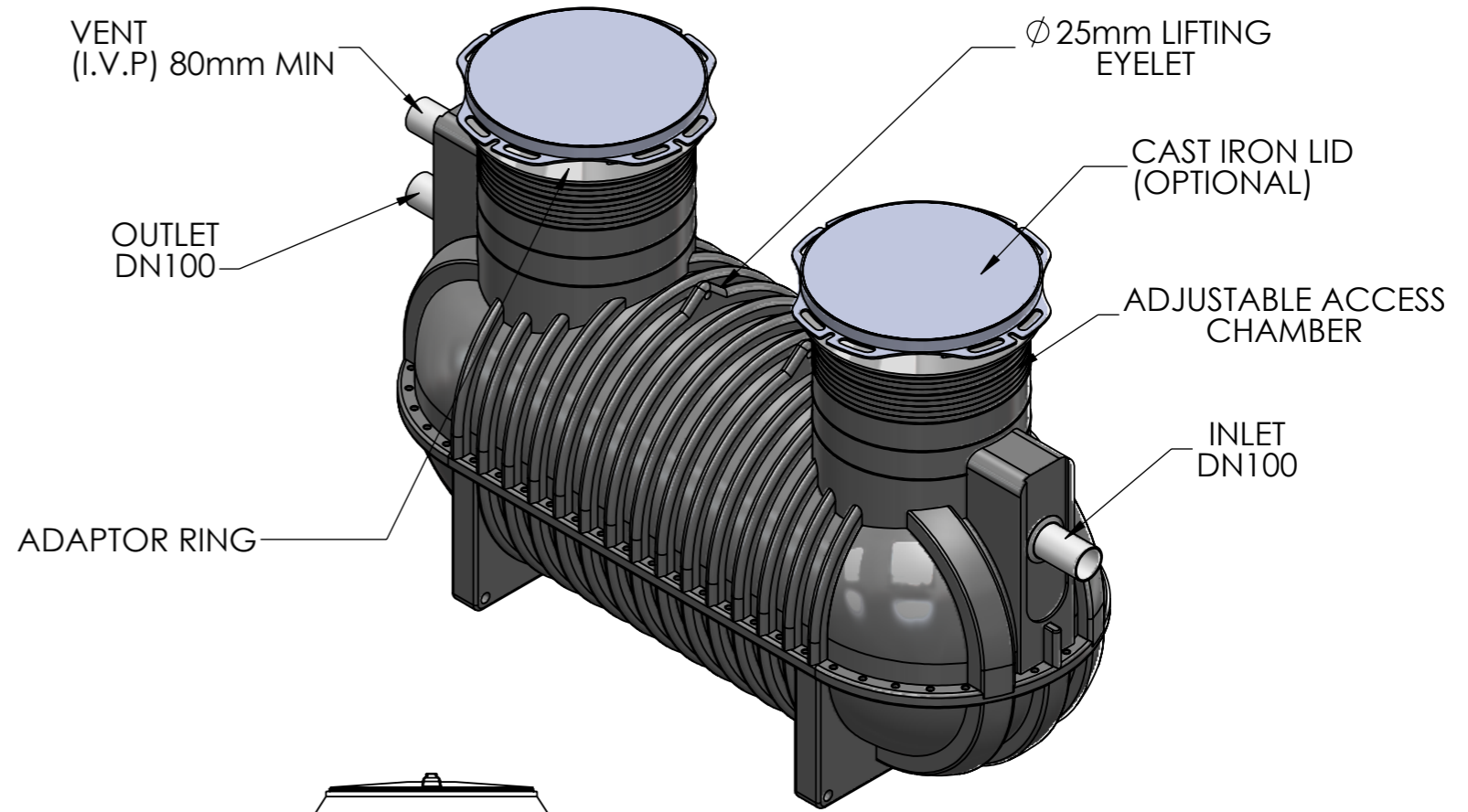
MATERIAL	DWN	LB
COLOUR/ FINISH	CHK	
S.G.	APP	
	SCALE: NTS	

STOCK CODE	GA-1200
PRODUCT	GA-1200 GENERAL ARRANGEMENT

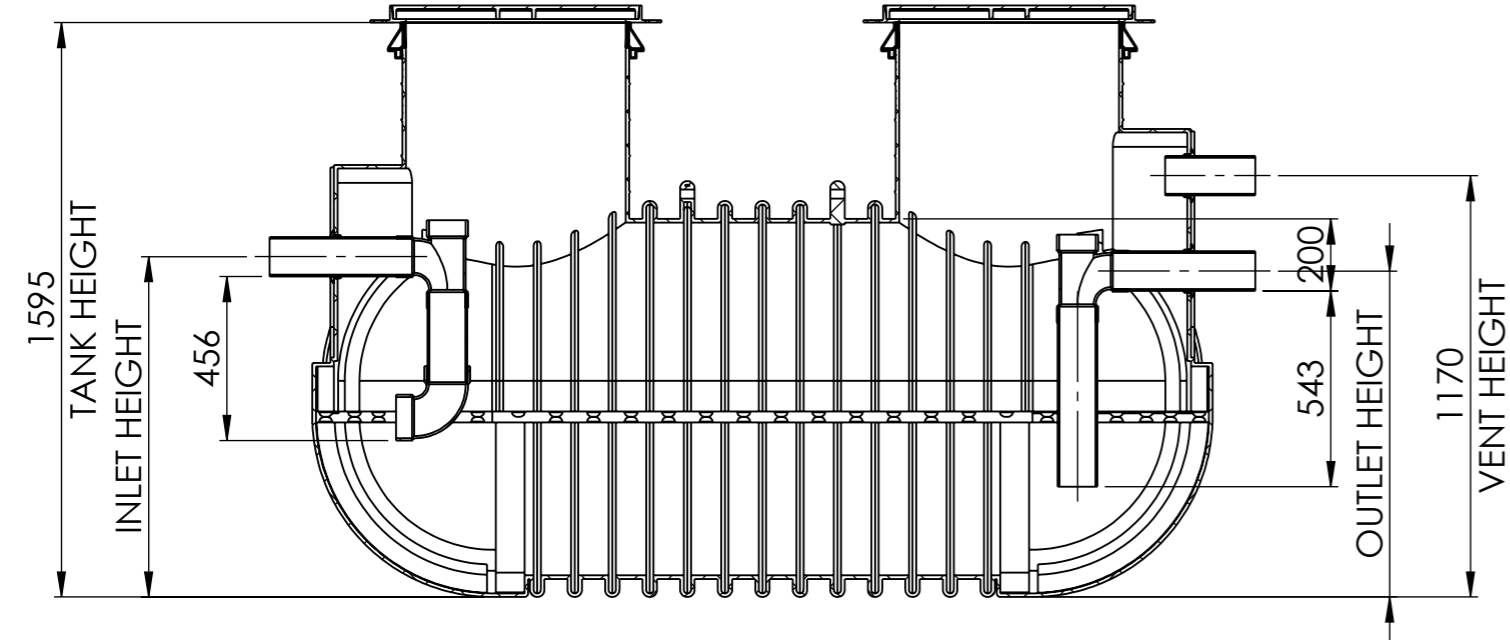
GA-1200 GENERAL ARRANGEMENT



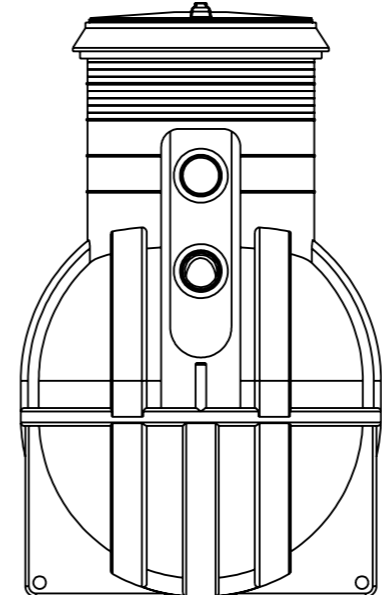
TOP VIEW



ISOMETRIC VIEW



SECTION A-A



SIDE VIEW

TRAFFICABLE LID OPTIONS	
DESCRIPTION	CODE
CLASS B CIRCULAR SOLID CAST IRON LID	COMP-33-58
CLASS D CIRCULAR SOLID CAST IRON LID	COMP-33-59

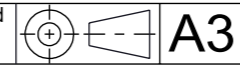
REV	DESCRIPTION	DWN	CHK	APP	DATE
0	ISSUED FOR APPROVAL	LB	RB	RB	30/03/23

coerco
Engineered Project Solutions

MATERIAL	DWN	LB
COLOUR/ FINISH	CHK	
S.G.	APP	
	SCALE: NTS	

STOCK CODE	GA-1200
PRODUCT	GA-1200 GENERAL ARRANGEMENT

PROPRIETARY. Neither this document nor its contents may be used or reproduced in any manner without the written authorisation of COERCO. Unless otherwise noted all dimensions are in millimetres.



COERCO
23 Harris Rd, Malaga Western Australia 6090

Phone: 1800 646 277
E-mail: info@coerco.com.au

SHEET 2 OF 2	DWGNO.	GA-1200_GA_001	REV.
--------------	--------	----------------	------