

ITEM NO.	DESCRIPTION	QTY.	CODE	LENGTH(mm)
1	400MM PIPE FLOAT SET	2	MTF400	1050
KIT	STANDARD GALVANISED FASTENER KIT INCLUDES:	1	MTF-GK-04	
2	12MM BOLTS	4		280
3	12MM NUTS	4		
4	BOLT RETAINER INSERTS	8		
5	12MM WASHERS	8		
OPTIONAL	STAINLESS STEEL FASTENER KIT	1	MTF-SK-04	280
OPTIONAL	RUBBER REDUCER TO REDUCE 20MM - SET	2	MTF-B-11H	675.4
OPTIONAL	RUBBER REDUCER TO REDUCE 40MM - SET	4	MTF-B-11F	675.4

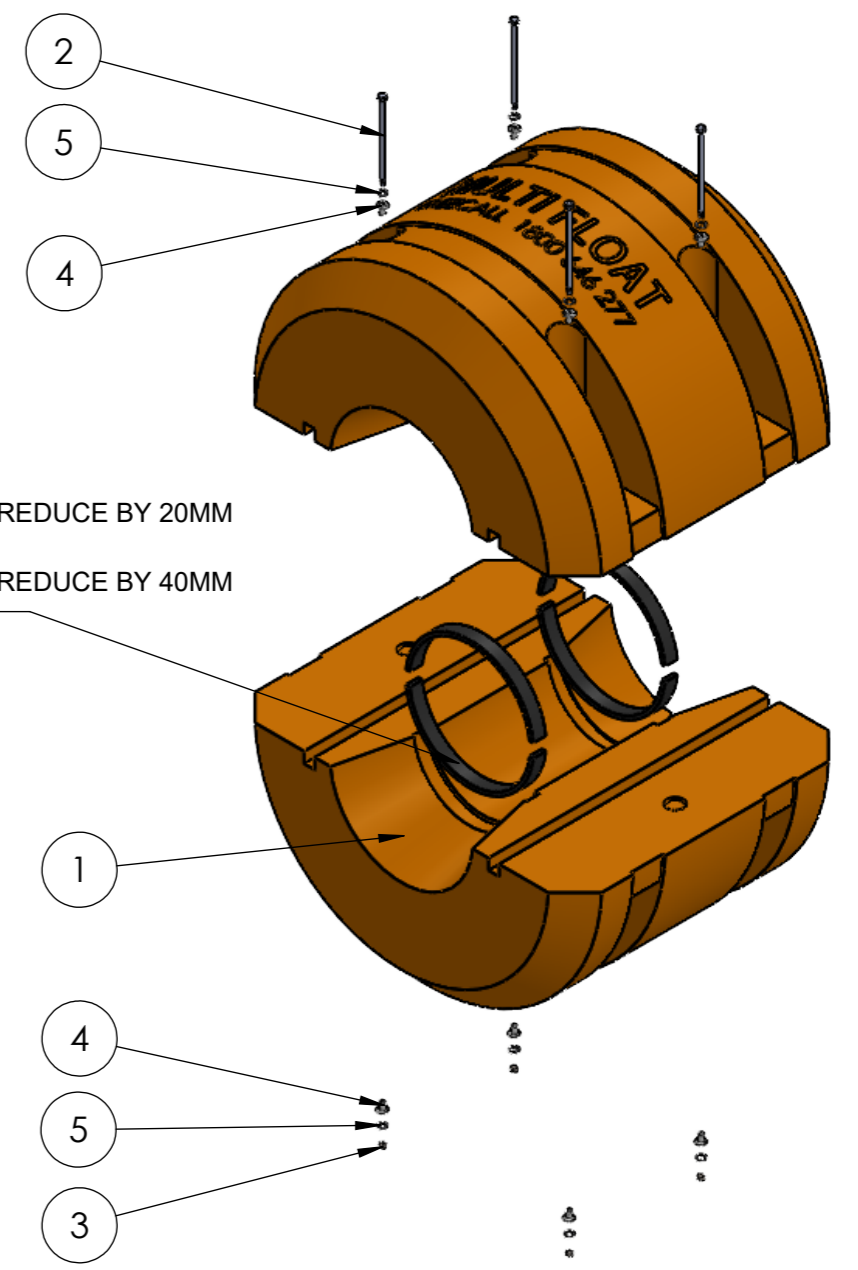
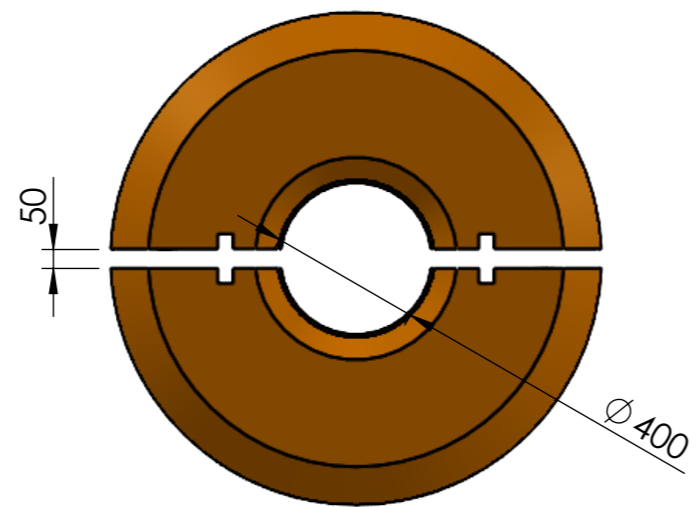
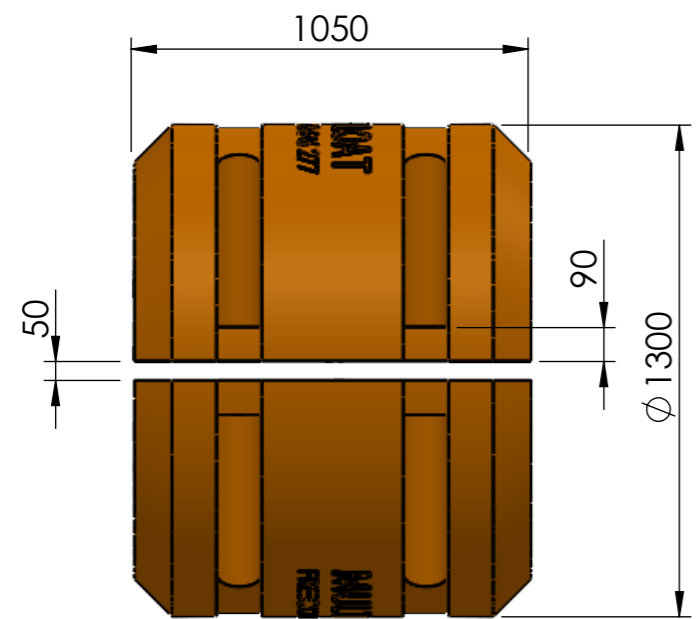
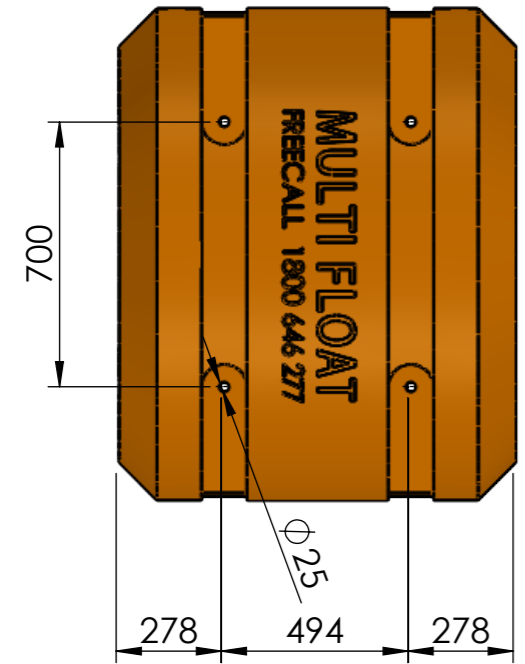
NOTES:

MATERIAL:
LLDPE MATERIAL DESIGNED SPECIFICALLY FOR ROTATIONAL MOULDING APPLICATIONS DELIVERING A HIGH ESCR, CHEMICAL RESISTANCE, STIFFNESS AND TOUGHNESS WHICH IS UV STABILISED TO PROVIDE PROLONGED OUTDOOR PROTECTION IN HARSH CONDITIONS.

DIMENSIONS:
DIMENSIONS MAY VARY SLIGHTLY DUE TO THE SHRINKAGE NATURE OF POLYETHYLENE.

REFER TO TECHNICAL DATA SHEET FOR FURTHER PRODUCT DETAILS AND INSTALLATION INFORMATION.

RUBBER REDUCERS.
- 2x RUBBER STRIPS IN SET TO REDUCE BY 20MM (FIT IN ONE FLOAT HALF)
- 4x RUBBER STRIPS IN SET TO REDUCE BY 40MM (FIT IN BOTH FLOAT HALVES)



PIPE FLOAT SET WEIGHT: 80.5kg

A
B
C
D
E
F

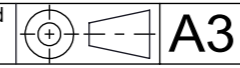
A
B
C
D
E
F

REV	DESCRIPTION	DWN	CHK	APP	DATE
03	UPDATED TEMPLATE AND TABLE	JT	RB	MJ	14.11.23
02	ADD RUBBER REDUCER LENGTH	LB			11.01.23
01	ISSUED FOR CONSTRUCTION	MI			15.07.22

MATERIAL	LLDPE	DWN	JT
COLOUR/ FINISH	-	CHK	RB
S.G.	-	APP	MJ
		SCALE: NTS	

STOCK CODE	MTF400
PRODUCT	400mm HOSE FLOAT

PROPRIETARY. Neither this document nor its contents may be used or reproduced in any manner without the written authorisation of COERCO. Unless otherwise noted all dimensions are in millimetres.



COERCO
23 Harris Rd, Malaga Western Australia 6090

Phone: 1800 646 277
E-mail: info@coerco.com.au

SHEET 1 OF 1	DWG NO. MTF400_GA_001	REV. 03
--------------	------------------------------	----------------