

ITEM NO.	DESCRIPTION	QTY.	CODE	LENGTH(mm)
1	710MM PIPE FLOAT SET	2	MTF710	1200
KIT	STANDARD GALVANISED FASTENER KIT INCLUDES:	1	MTF-GK-05	
2	12MM BOLTS	4		300
3	12MM NUTS	4		
4	BOLT RETAINER INSERTS	8		
5	12MM WASHERS	8		
OPTIONAL	STAINLESS STEEL FASTENER KIT	1	MTF-SK-05	300
OPTIONAL	RUBBER REDUCER TO REDUCE 20MM - SET	2	MTF-B-17H	1115
OPTIONAL	RUBBER REDUCER TO REDUCE 40MM - SET	4	MTF-B-17F	1115

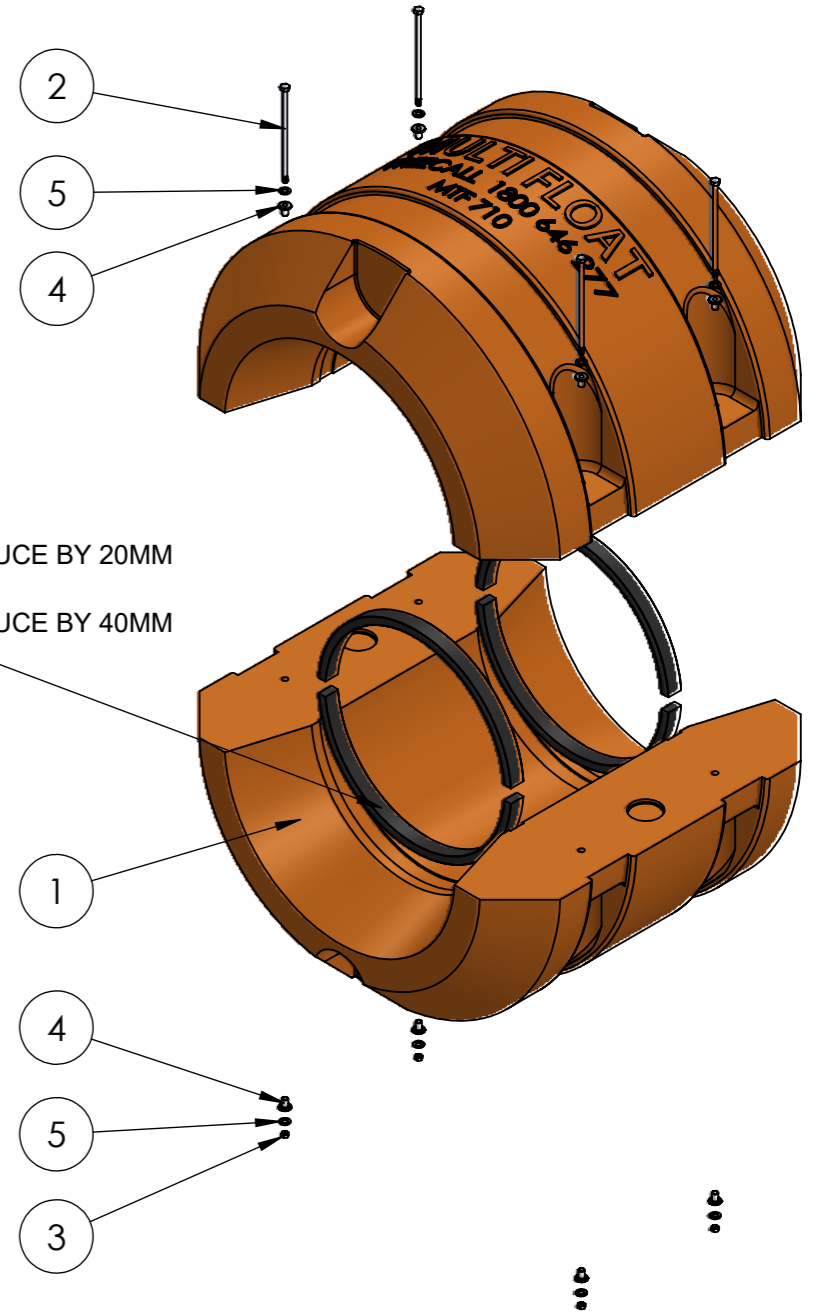
**NOTES:**

**MATERIAL:**  
LLDPE MATERIAL DESIGNED SPECIFICALLY FOR ROTATIONAL MOULDING APPLICATIONS DELIVERING A HIGH ESCR, CHEMICAL RESISTANCE, STIFFNESS AND TOUGHNESS WHICH IS UV STABILISED TO PROVIDE PROLONGED OUTDOOR PROTECTION IN HARSH CONDITIONS.

**DIMENSIONS:**  
DIMENSIONS MAY VARY SLIGHTLY DUE TO THE SHRINKAGE NATURE OF POLYETHYLENE.

**REFER TO TECHNICAL DATA SHEET FOR FURTHER PRODUCT DETAILS AND INSTALLATION INFORMATION.**

**RUBBER REDUCERS.**  
- 2x RUBBER STRIPS IN SET TO REDUCE BY 20MM (FIT IN ONE FLOAT HALF)  
- 4x RUBBER STRIPS IN SET TO REDUCE BY 40MM (FIT IN BOTH FLOAT HALVES)



PIPE FLOAT SET WEIGHT: 90.5kg

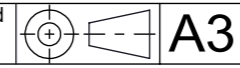
REV	DESCRIPTION	DWN	CHK	APP	DATE
02	UPDATED TEMPLATE AND TABLE	JT	RB	MJ	15.11.23
01	ISSUED FOR CONSTRUCTION	MI			15.07.22



MATERIAL	<b>LLDPE</b>	DWN	JT
COLOUR/ FINISH	-	CHK	RB
S.G.	-	APP	MJ
		SCALE: NTS	

STOCK CODE	<b>MTF710</b>
PRODUCT	<b>710mm HOSE FLOAT</b>

PROPRIETARY. Neither this document nor its contents may be used or reproduced in any manner without the written authorisation of COERCO. Unless otherwise noted all dimensions are in millimetres.



**COERCO**  
23 Harris Rd, Malaga Western Australia 6090

Phone: 1800 646 277  
E-mail: info@coerco.com.au

SHEET 1 OF 1	DWG NO.	<b>MTF710_GA_001</b>	REV.	<b>02</b>
--------------	---------	----------------------	------	-----------