

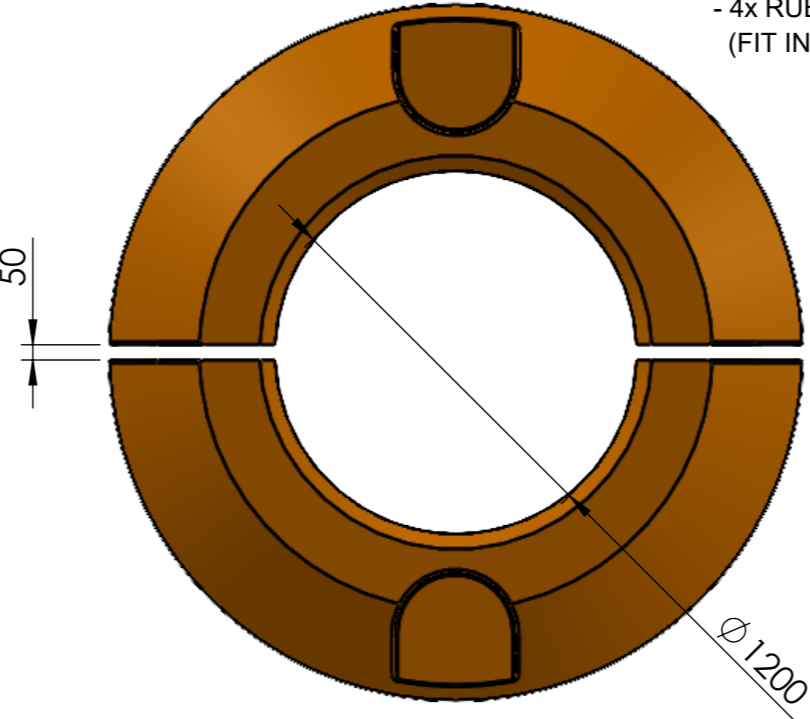
NOTES:

MATERIAL:
LLDPE MATERIAL DESIGNED SPECIFICALLY FOR ROTATIONAL MOULDING APPLICATIONS DELIVERING A HIGH ESCR, CHEMICAL RESISTANCE, STIFFNESS AND TOUGHNESS WHICH IS UV STABILISED TO PROVIDE PROLONGED OUTDOOR PROTECTION IN HARSH CONDITIONS.

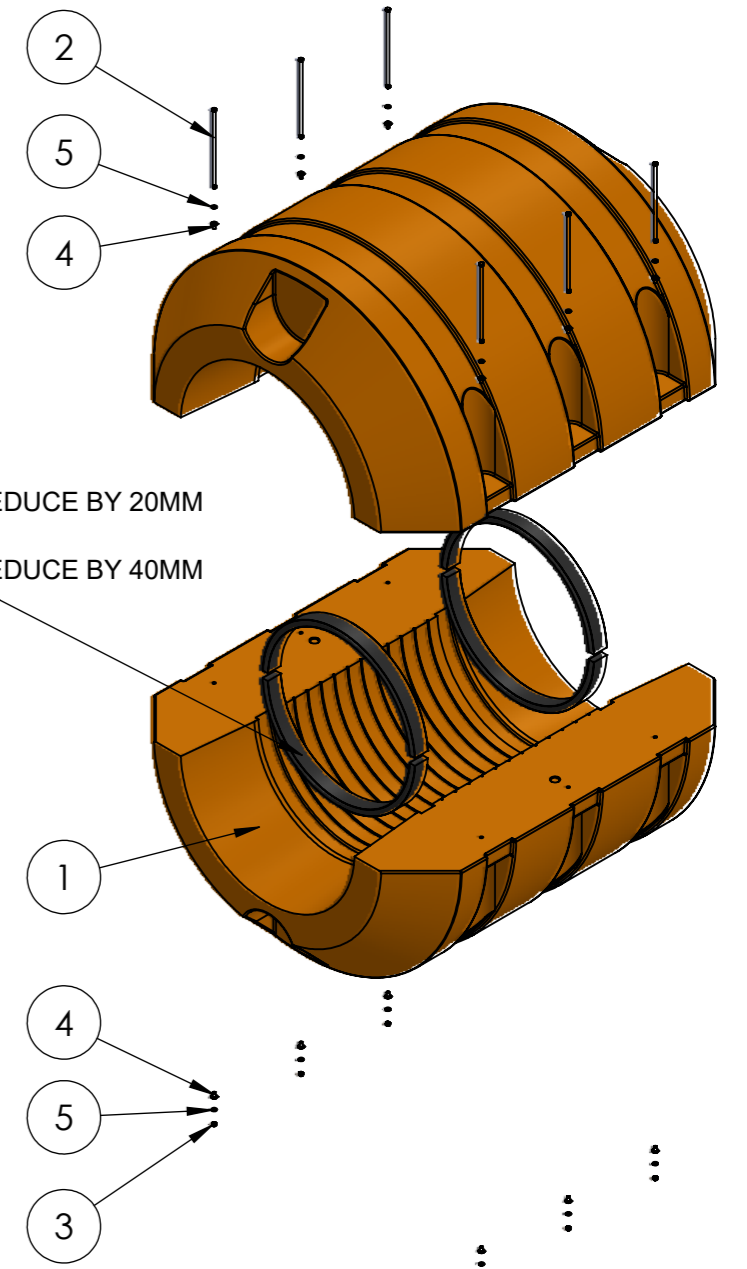
DIMENSIONS:
DIMENSIONS MAY VARY SLIGHTLY DUE TO THE SHRINKAGE NATURE OF POLYETHYLENE.

REFER TO TECHNICAL DATA SHEET FOR FURTHER PRODUCT DETAILS AND INSTALLATION INFORMATION.

ITEM NO.	DESCRIPTION	QTY.	CODE	LENGTH(mm)
1	1200MM PIPE FLOAT SET	2	MTF1200	2500
KIT	STANDARD GALVANISED FASTENER KIT INCLUDES:	1	MTF-GK-06	
2	12MM BOLTS	6		300
3	12MM NUTS	6		
4	BOLT RETAINER INSERTS	12		
5	12MM WASHERS	12		
OPTIONAL	STAINLESS STEEL FASTENER KIT	6	MTF-SK-06	300
OPTIONAL	RUBBER REDUCER TO REDUCE 20MM - SET	2	MTF-B-21H	1885
OPTIONAL	RUBBER REDUCER TO REDUCE 40MM - SET	4	MTF-B-21F	1885



RUBBER REDUCERS.
- 2x RUBBER STRIPS IN SET TO REDUCE BY 20MM (FIT IN ONE FLOAT HALF)
- 4x RUBBER STRIPS IN SET TO REDUCE BY 40MM (FIT IN BOTH FLOAT HALVES)



PIPE FLOAT SET WEIGHT: 300.5kg

REV	DESCRIPTION	DWN	CHK	APP	DATE
03	UPDATED TEMPLATE AND TABLE	JT	RB	MJ	15.11.23
02	ADD RUBBER REDUCER LENGTH	LB			11.01.23
01	ISSUED FOR CONSTRUCTION	MI			15.07.22

MATERIAL	LLDPE	DWN	JT
COLOUR/ FINISH	-	CHK	RB
S.G.	-	APP	MJ
		SCALE: NTS	

STOCK CODE	MTF1200
PRODUCT	1200mm HOSE FLOAT